

From Great Resolve Comes Great Results

The name is no accident. Resolve is more than a product line. It's a mindset that permeates everything we do—from the frontline of product innovation to the bottom line of every orthodontist we serve. Let's take a moment to consider the origins.

Resolve (noun)

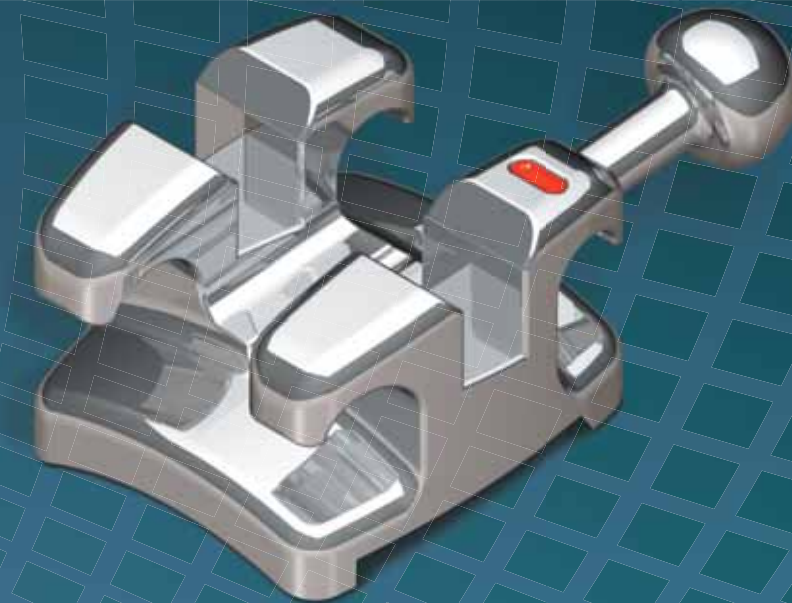
1. Firmness of purpose; resolution.
2. A determination or decision; a fixed purpose.
3. A formal resolution made by a deliberative body.
4. Boldness, courage, fixed purpose, intention, objective, project, purpose, purposefulness, resolution, steadfastness, will, willpower.

Resolve

Resolve to SUCCEED. Resolve to SERVE our customers. Resolve to ADVANCE orthodontics.

From the newly introduced Accu-Force™ and Shape-Fit™ products to the new Resolve® line of brackets, these products are the result of considerable dedication, determination and the resolve to overcome a challenge like no other we've faced. The Resolve name represents both the culmination of a goal to prevail and a starting point for a continual journey. And while the Resolve line is but one of the many products that make up our complete offering, we feel it is an accurate representation of who we are and what we stand for.

Part Art. Part Science. All Resolve.



resolve® Classic Bracket

- Torque in base, low-profile rhomboid shape
- Compound contoured, recessed single mesh base design
- Mid-size design with ample tie-wings for easy ligation

2011 ©DENTSPLY GAC Intl. All Rights Reserved. 120-177-01 2011.6

RxOnly

DENTSPLY INTERNATIONAL
DENTSPLY GAC INTERNATIONAL
355 Knickerbocker Avenue
Bohemia, NY 11716
1-888-422-4685
Outside US: 1-631-419-1700
www.gacintl.com

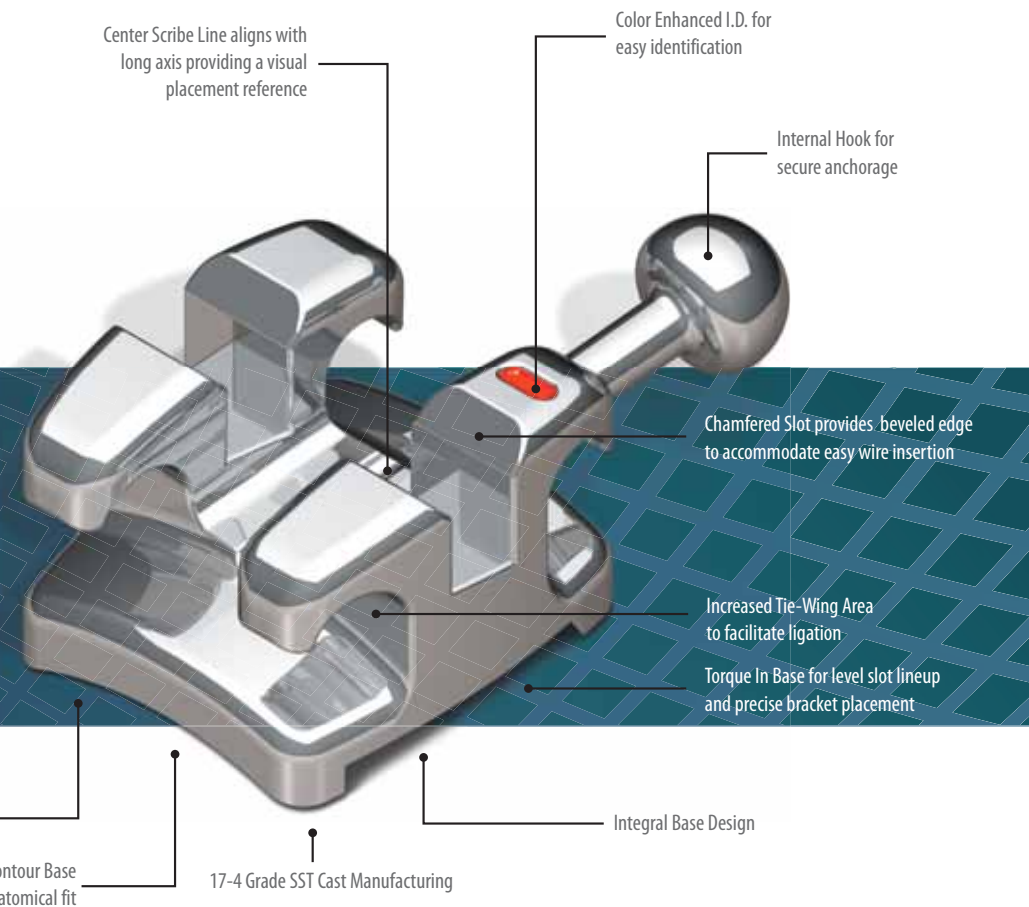
Part Art. Part Science. All Orthodontics.

For better dentistry
DENTSPLY
GAC

The Advantages of a Mini Bracket with the Control of a Full-Size Bracket.

Innovative Design

The innovative design of the Resolve[®] Classic Bracket starts from the bottom up, with an integral base that provides enhanced bond strength. Also designed with torque in base to provide level slot alignment. Beautiful smooth finishes and rounded edges designed for patient comfort further enhance the design.



System Benefits

- Torque in base programs the desired degree of torque into the angular relationship between the slot and base
- Low profile design with patient comfort in mind
- Mid-size rhomboid shape for enhanced esthetics
- Generous parallel tie-wings facilitate easy ligation
- Available in Roth and MBT Rx

Integral Base Design

A single 80 gauge mesh is precisely inserted into the base, taking full advantage of the prescription engineered into the bracket.



Bracket Identification



AVAILABLE PRESCRIPTIONS

Roth Rx

Maxillary Arch				.018				.022			
Tooth	T	A	OF	Right	ID	Left	ID	Right	ID	Left	ID
U1	12T	5A	00	177-111-00	●	177-211-00	●	177-112-00	●	177-212-00	●
U2	8T	9A	00	177-121-00	●	177-221-00	●	177-122-00	●	177-222-00	●
U3	0T	11A	00	177-131-00	●	177-231-00	●	177-132-00	●	177-232-00	●
U3/distal hook	0T	11A	00	177-131-10	●	177-231-10	●	177-132-10	●	177-232-10	●
U4-5	-7T	0A	00	177-541-00	●●	177-541-00	●●	177-542-00	●●	177-542-00	●●
U4-5/mesial hook	-7T	0A	00	177-141-10	●	177-241-10	●	177-142-10	●	177-242-10	●
Mandibular Arch				.018				.022			
L1-2	0T	0A	00	177-611-00	●	177-611-00	●	177-612-00	●	177-612-00	●
L3	-11T	5A	00	177-331-00	●	177-431-00	●	177-332-00	●	177-432-00	●
L3/distal hook	-11T	5A	00	177-331-10	●	177-431-10	●	177-332-10	●	177-432-10	●
L4	-17T	0A	00	177-641-00	●●	177-641-00	●●	177-642-00	●●	177-642-00	●●
L4/distal hook	-17T	0A	00	177-341-10	●	177-441-10	●	177-342-10	●	177-442-10	●
L5	-22T	0A	00	177-651-00	●●	177-651-00	●●	177-652-00	●●	177-652-00	●●
L5/distal hook	-22T	0A	00	177-351-10	●	177-451-10	●	177-352-10	●	177-452-10	●

MBT Rx

Maxillary Arch				.018				.022			
Tooth	T	A	OF	Right	ID	Left	ID	Right	ID	Left	ID
U1	17T	4A	00	177-111-60	●	177-211-60	●	177-112-60	●	177-212-60	●
U2	10T	8A	00	177-121-60	●	177-221-60	●	177-122-60	●	177-222-60	●
U3	-7T	8A	00	177-131-60	●	177-231-60	●	177-132-60	●	177-232-60	●
U3/distal hook	-7T	8A	00	177-131-61	●	177-231-61	●	177-132-61	●	177-232-61	●
U3/distal hook	0T	8A	00	177-131-62	●	177-231-62	●	177-132-62	●	177-232-62	●
U4-5	-7T	0A	00	177-541-60	●●	177-541-60	●●	177-542-60	●●	177-542-60	●●
U4-5/mesial hook	-7T	0A	00	177-141-61	●	177-241-61	●	177-142-61	●	177-242-61	●
Mandibular Arch				.018				.022			
L1-2	-6T	0A	00	177-611-60	●●	177-611-60	●●	177-612-60	●●	177-612-60	●●
L3	-6T	3A	00	177-331-60	●	177-431-60	●	177-332-60	●	177-432-60	●
L3/distal hook	-6T	3A	00	177-331-61	●	177-431-61	●	177-332-61	●	177-432-61	●
L3/distal hook	0T	3A	00	177-331-62	●	177-431-62	●	177-332-62	●	177-432-62	●
L4	-12T	0A	00	177-641-60	●●	177-641-60	●●	177-642-60	●●	177-642-60	●●
L4/distal hook	-12T	0A	00	177-341-61	●	177-441-61	●	177-342-61	●	177-442-61	●
L5	-17T	0A	00	177-651-60	●●	177-651-60	●●	177-652-60	●●	177-652-60	●●
L5/distal hook	-17T	0A	00	177-351-61	●	177-451-61	●	177-352-61	●	177-452-61	●